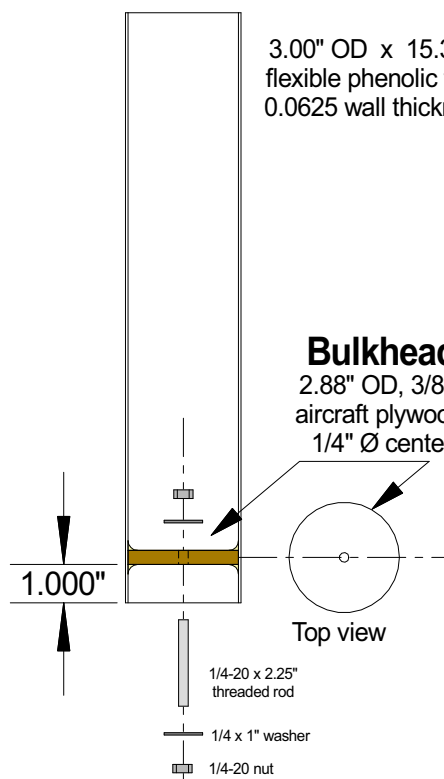


5:1 Ogive, 3.9" diameter plastic "Pinnacle" nosecone from Giant Leap Rocketry. Modify by cutting a 3.00" Ø hole centered on the aft end.

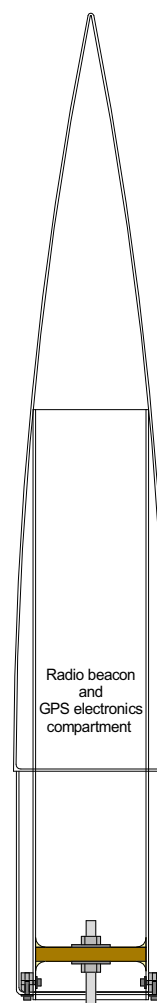
Nosecone tubing

3.00" OD x 15.375" flexible phenolic tube
0.0625 wall thickness



Bulkhead B5

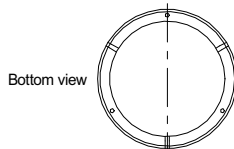
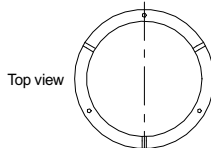
2.88" OD, 3/8" thick aircraft plywood with 1/4" Ø center hole



Radio beacon and GPS electronics compartment



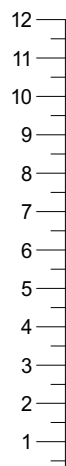
Nosecone retainer ring with 4-40 x 0.375" socket head machine screws and washers



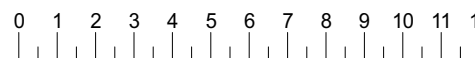
Nosecone retainer ring dimensions on next page.

Material: Aluminum

Assembled nosecone. This will screw into the coupling nut on the threaded rod at the top of bulkhead B4



Print scale in Inches



Project: Coldfire	All dimensions are in inches	Date: Jan. 7, 2006	Vern Knowles www.vernk.com
	CAD scale: 1" = 5"		
Drawing: Nosecone	Rev: B		